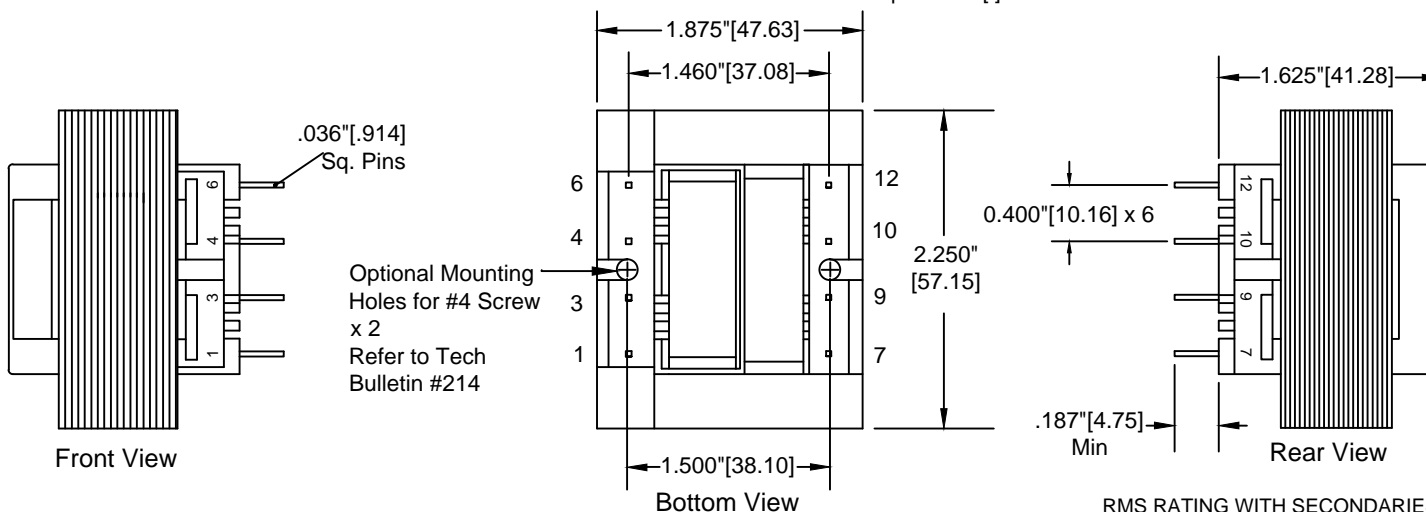


SPHV-277-1300 Series: 20 VA International Standard Profile PC Mount Power transformers with a single 277V primary and dual secondaries. Designed to be used in low power applications and provide the high isolation, creepage and clearance distances necessary to comply with international safety standards.

- Dielectric Strength - 4500Vrms Hipot primary - secondary
- Single Primary 277V, 50/60Hz
- Dual secondaries - Series or Parallel
- UL Recognized CLASS B (130°C) Insulation system, UL 1446 (File E85315)
- 100% Final Tested - Every transformer is tested on automated panels for induced voltage (shorted turns), exciting current, open circuit voltage (turns ratio), polarity (phasing) and dielectric strength
- Shrouded primary, Three flange bobbin design, no electrostatic shield required
- Flammability - Bobbin and Shroud Material meets UL 94-VO
- Immersed in 100% solids epoxy resin to withstand most aqueous and solvent cleaning systems
- Other primary and secondary voltages may be custom designed to your specifications
- Anchor, insulating and crossover tapes. Two distinct, separate windings for each primary and secondary assure excellent HIPOT capability between these windings
- Same pin-out as Prem's SPW 1300 Series

All Dimensions are reference unless otherwise specified. [ ]=mm

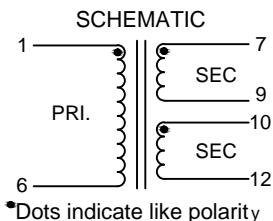


SECONDARY WINDINGS ARE DESIGNED TO BE USED AS ONE SECONDARY WINDING WITH EITHER PARALLEL OR SERIES CONNECTIONS ONLY!

INPUT VOLTAGE 1 - 6, 277V, 50/60Hz

SECONDARY PARALLEL CONNECTIONS:  
TIE 7-10, 9-12; OUTPUT 7-12

SECONDARY SERIES CONNECTIONS:  
TIE 9-10; OUTPUT 7-12



\*Dots indicate like polarity

THE DESIGN OF THIS PART IS INTENDED TO MEET THE LISTED SAFETY AGENCY REQUIREMENTS. PREM HAS NOT HAD THIS PART REVIEWED, APPROVED OR LISTED BY ANY SAFETY AGENCY.

Part Number	VA	RMS RATING WITH SECONDARIES CONNECTED IN:	
		Series	Parallel
SPHV - 277 - 1300	20	10Vct @ 2.0A	5V @ 4.0A
SPHV - 277 - 1301	20	12.6Vct @ 1.6A	6.3V @ 3.2A
SPHV - 277 - 1302	20	16Vct @ 1.25A	8V @ 2.5A
SPHV - 277 - 1303	20	20Vct @ 1.0A	10V @ 2.0A
SPHV - 277 - 1304	20	24Vct @ 830mA	12V @ 1.66A
SPHV - 277 - 1305	20	28Vct @ 720mA	14V @ 1.44A
SPHV - 277 - 1306	20	36Vct @ 560mA	18V @ 1.12A
SPHV - 277 - 1307	20	48Vct @ 420mA	24V @ 840mA
SPHV - 277 - 1308	20	56Vct @ 357mA	28V @ 714mA
SPHV - 277 - 1309	20	120Vct @ 167mA	60V @ 334mA

- PRI TO SEC INSULATION: REINFORCED
- PRI TO SEC CREEPAGE: 6.4mm MIN.(MATERIAL GROUP IIIb)
- PRI TO SEC CLEARANCE: 6.4mm MIN.

## SPHV-277-1300 Series

### Notes

Designed to meet:  
-UL 60950  
-VDE 0805(EN 60950)

FUSING THE TRANSFORMER TO MEET SAFETY AGENCY REQUIREMENTS IS THE RESPONSIBILITY OF THE CUSTOMER.

-3	Chg.Elec. Text	3-6-15
-2	Chg. ( ) to [ ]=mm	12-4-14
-1	Add #4 screw to Mtg. hole & refer to Bull. 214	8-25-14

**PREM**  
MAGNETICS INCORPORATED  
3521 N. CHAPEL HILL RD.  
JOHNSBURG, IL 60051

**PREM PART**  
**SPHV-277-1300**  
**INTERNATIONAL**  
**SERIES**

Approved: **R Radow**

Scale: **None**

Date: **02/14/2012**